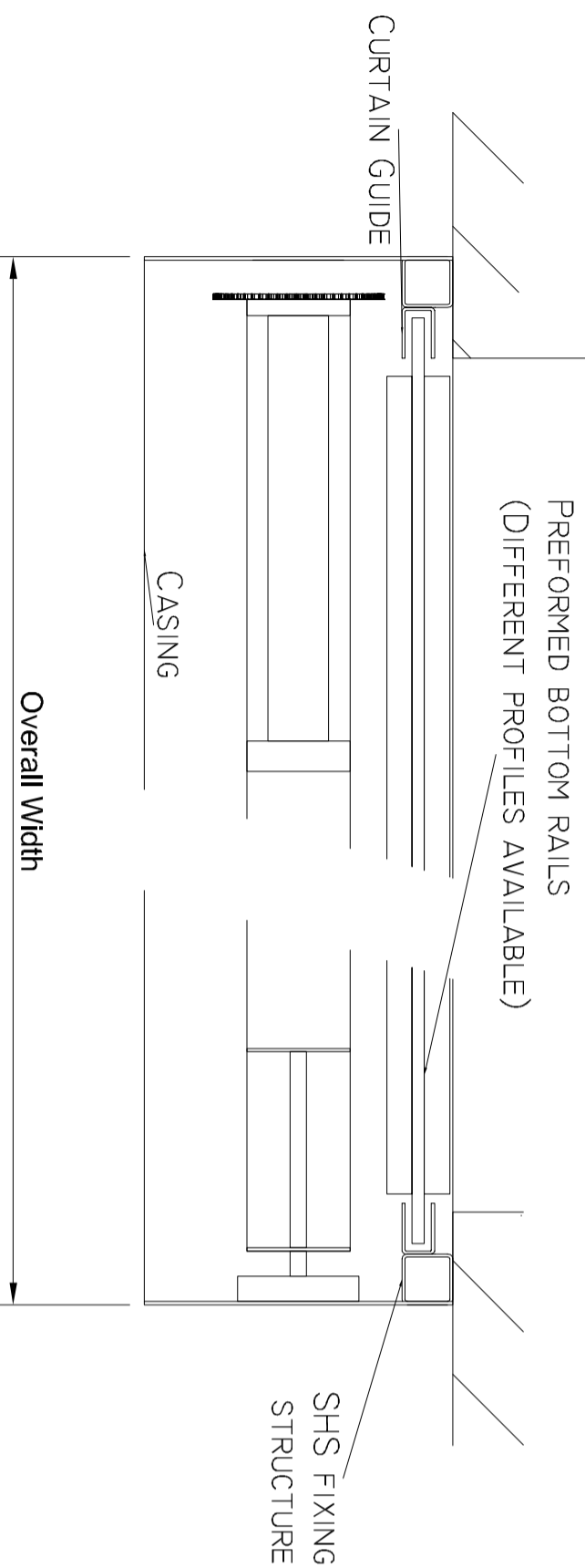
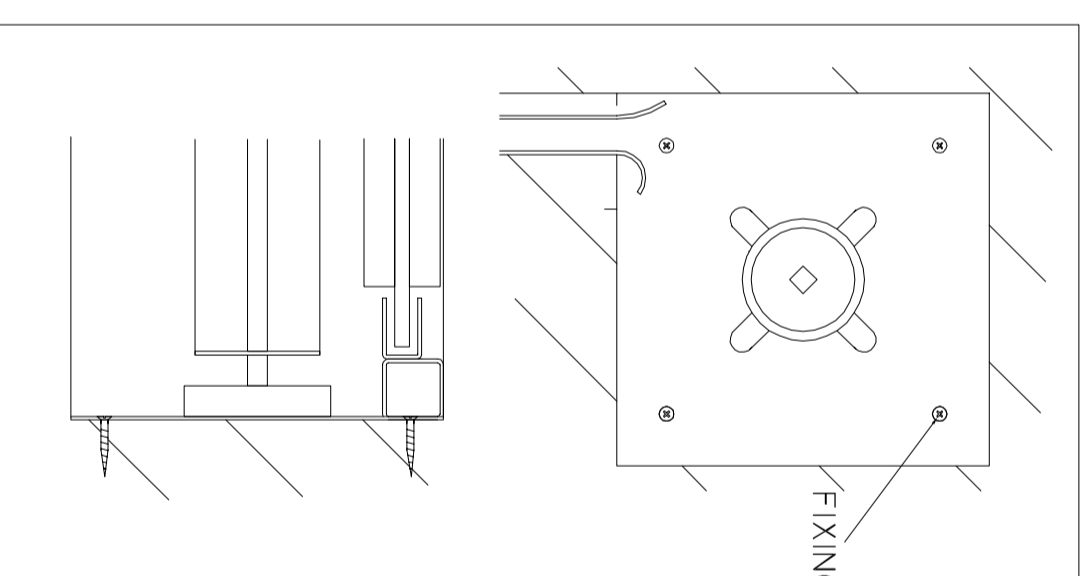
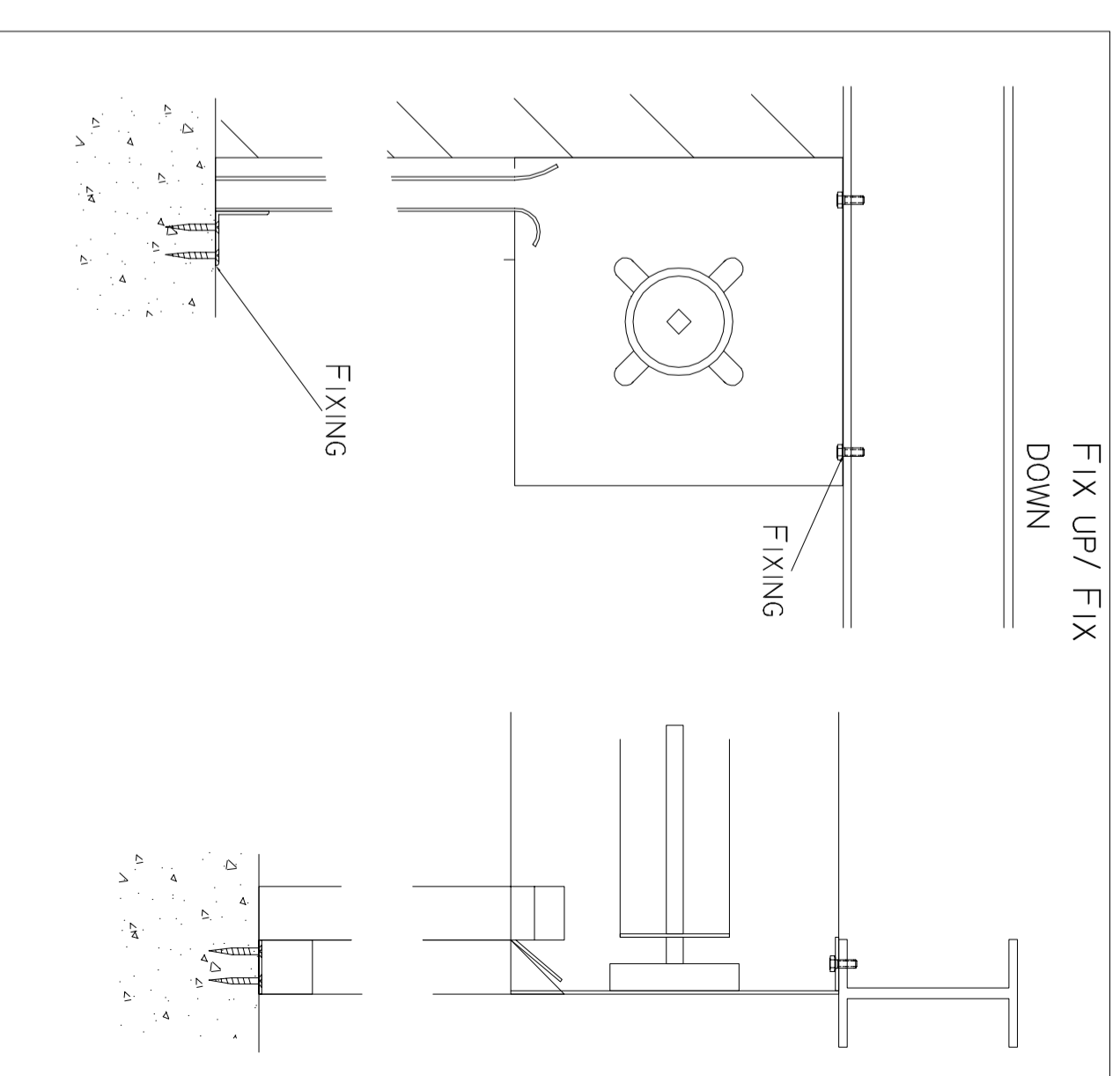


REVEAL FIX

EXISTING STRUCTURES BY OTHERS



ALL SUPPORTING STRUCTURES ARE EXISTING OR BY OTHERS. FULL WIDTH ACCESS SHOULD ALWAYS BE AVAILABLE FOR SERVICE, REPAIR OR MAINTENANCE PURPOSES. WEIGHTS ARE CALCULATED DEPENDANT ON CONFIRMATION OF DIMENSIONS.



Fixing Guidance		Side and Headroom Guidance		
Material	Fixing	Height	Sideroom (each side)	Endplate Height (ordinary coil)
Steel	M6-M10 Set screws or Hex bolts	<1000	70	230
Masonry	M8-M10 Rawlbolts/ Sleeve anchors	1000>1800	90	255
		1800>2100	100	280
		2100>2700	100	305
Timber	12swg screws / M8-M10 Coach screws	2700>3300	100	330
Concrete	12swg screws / M8-M10 Rawl bolts or Sleeve anchors	3300>4200	115	355

THE ABOVE IS FOR GUIDANCE ONLY SIDEROOM CAN INCREASE DEPENDANT ON SPECIFICATIONS REQUESTED BY THE CLIENT

THE ABOVE DIMENSIONS ARE IN MILLIMETERS AND ARE THE MINIMUM AVAILABLE. REVERSE COILING THE CURTAIN WILL INCREASE THE HEADROOM REQUIRED. CORRECT UPTO 4.5M WIDE.

The above guidance dimensions are subject to site surveys carried out by an LBS Group representative in conjunction with the correct specifications supplied by our client.

PRODUCT: LBS HANDCHAIN INDUGARD 75

DATE: 12.12.2019

DRAWN BY: JS

LBS GROUP GENERIC DRAWINGS

REVISION No: 1 A
DRAWING No: LBS022

Approved:

LBS GROUP
UNIT 6 STERLING
INDUSTRIAL ESTATE
RAINHAM ROAD
SOUTH
DAGENHAM
ESSEX
RM10 8TX

