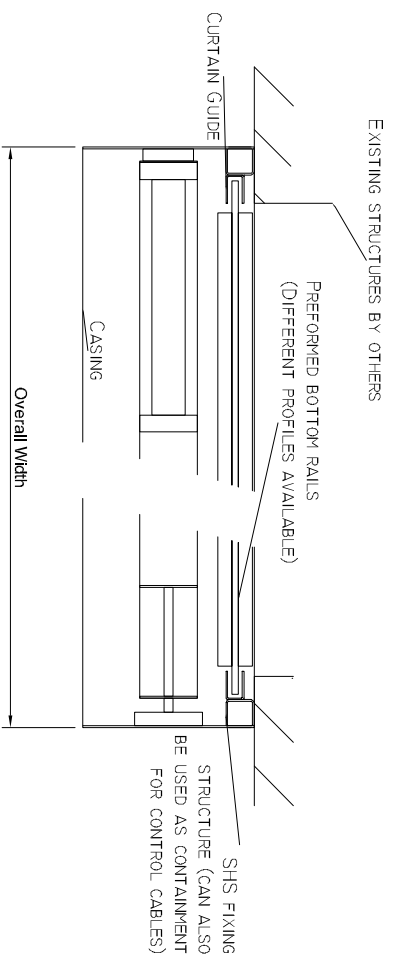
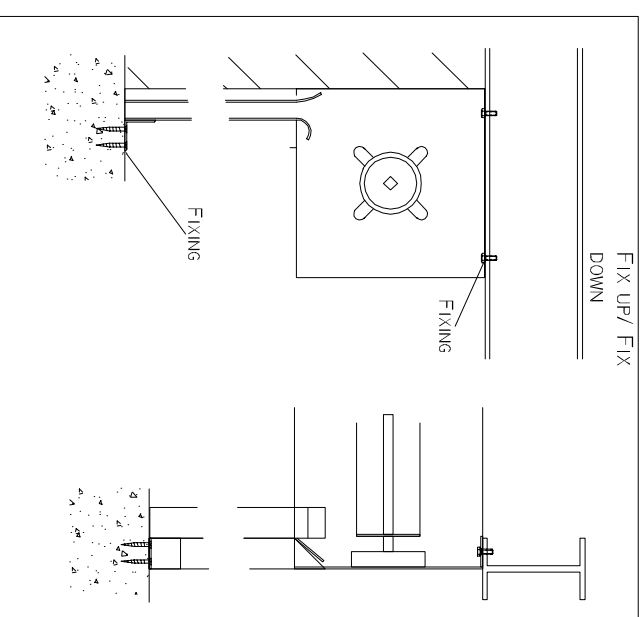
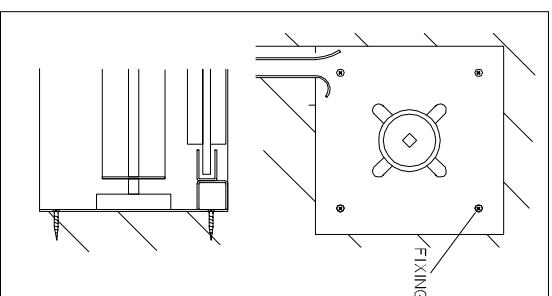


REVEAL FIX



EXISTING STRUCTURES BY OTHERS

PERFORMED BOTTOM RAILS
(DIFFERENT PROFILES AVAILABLE)

SHS FIXING
STRUCTURE (CAN ALSO
BE USED AS CONTAINMENT
FOR CONTROL CABLES)

Overall Width

CASING

CURTAIN GUIDE

ALL SUPPORTING STRUCTURES ARE EXISTING OR BY OTHERS. FULL WIDTH ACCESS SHOULD ALWAYS BE AVAILABLE FOR SERVICE, REPAIR OR MAINTENANCE PURPOSES. HIGH LEVEL SUPPLY 16AMP IPHANE TO BE AVAILABLE ADJACENT AND WITHIN 1 METER OF THE ROLLER SHUTTER MOTOR BY OTHERS. WEIGHTS ARE CALCULATED DEPENDANT ON CONFIRMATION OF DIMENSIONS.

Fixing Guidance		Side and Headroom Guidance	
Material	Fixing Details	Height	Endplate Height (ordinary coil)
Steel	M6-M10 Set screws or Hex bolts	<1000	70
Masonry	M8-M10 Rawbolts/ Sleeve anchors	1000-1800	90
		1800-2100	100
		2100-2700	100
Timber	12swg screws / M8-M10 Coach screws	2700-3300	100
Concrete	12swg screws / M8-M10 Rawl bolts or Sleeve anchors	3300-4200	115

THE ABOVE IS FOR GUIDANCE ONLY. SIDEROOM CAN INCREASE DEPENDANT ON SPECIFICATIONS REQUESTED BY THE CLIENT

THE ABOVE DIMENSIONS ARE IN MILLIMETERS AND ARE THE MINIMUM AVAILABLE. REVERSE COLLING THE CURTAIN WILL INCREASE THE HEADROOM REQUIRED. CORRECT UP TO 4.5M WIDE.

The above guidance dimensions are subject to site surveys carried out by an LBS Group representative in conjunction with the correct specifications supplied by our client.

PRODUCT: LBS OFFCEGUARD / SHOPGUARD 75

DATE: 12.12.2019

DRAWN BY: JS

LBS GROUP GENERIC DRAWINGS

REVISION No: 1A
DRAWING No: LBS001

Approved:

LBS GROUP
UNIT 6 STERLING
INDUSTRIAL ESTATE
RAINHAM ROAD
SOUTH
DAGENHAM
ESSEX
RM10 8TX

